

Section I – Installation Preparation

**Part Number: PT278-34071 Short Bed**  
**PT278-34072 Standard Bed**  
**PT278-34073 Long Bed**

**NOTE:** Part number of this accessory may not be the same as the part number shown.

**Kit Contents**

Item #	Quantity Req'd.	Description
1	1	Header rail with end caps & steel temp-set
2	2	Side rails with end caps & plastic temp-set locator clips
3	1	4 pack of cleat assemblies
4	1	Installation instruction sheets
5	1	Hardware bag

**Hardware Bag Contents**

Item #	Quantity Req'd.	Description
1	14 (Short bed – PT278-34071)	T-30 Screws
1	16 (Std. Bed – PT278-34072)	T-30 Screws
1	20 (Long bed – PT278-34073)	T-30 Screws

**Additional Items Required For Installation**

Item #	Quantity Req'd.	Description
1		
2		
3		

**Conflicts**

Vehicles equipped with factory rails
--------------------------------------

**Recommended Tools**

<b>Personal &amp; Vehicle Protection</b>	<b>Notes</b>
Safety Goggles	
Vehicle Protection	
Wrist & Belt Buckle Protectors	
<b>Special Tools</b>	<b>Notes</b>
<b>Installation Tools</b>	<b>Notes</b>
Torx Driver	T-30 (Hardened)
Torque Wrench	0-150 lbf-in
Sabre Saw	(For DIO w/ Bedliner only)
<b>Special Chemicals</b>	<b>Notes</b>

**General Applicability**

All models without factory installed rails
--

**Recommended Sequence of Application**






Item #	Accessory
1	Bedliner
2	Bed Rails
3	Tonneau Cover

\*Mandatory

**Vehicle Service Parts** (may be required for reassembly)

Item #	Quantity Req'd.	Description
1		
2		
3		
4		
5		
6		

**Legend**

	<b>STOP:</b> Damage to the vehicle may occur. Do not proceed until process has been complied with.
	<b>OPERATOR SAFETY:</b> Use caution to avoid risk of injury.
	<b>CAUTION:</b> A process that must be carefully observed in order to reduce the risk of damage to the accessory/vehicle and to ensure a quality installation.
	<b>TOOLS &amp; EQUIPMENT:</b> Used in Figures calls out the specific tools and equipment recommended for this process.
	<b>REVISION MARK:</b> This mark highlights a change in installation with respect to previous issue.

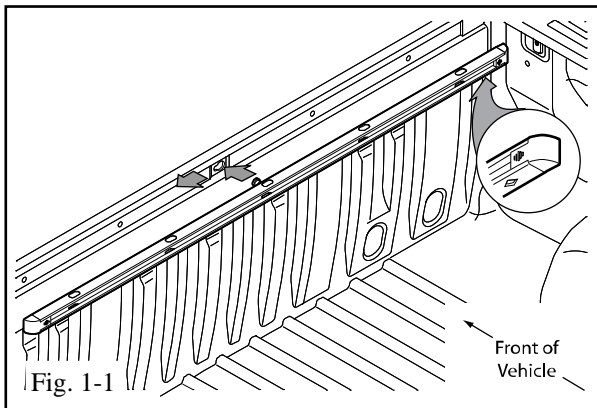
Care must be taken when installing this accessory to ensure damage does not occur to the vehicle. The installation of this accessory should follow approved guidelines to ensure a quality installation.

These guidelines can be found in the "Accessory Installation Practices" document.

This document covers such items as:-

- Vehicle Protection (use of covers and blankets, cleaning chemicals, etc.).
- Safety (eye protection, rechecking torque procedure, etc.).
- Vehicle Disassembly/Reassembly (panel removal, part storage, etc.).
- Electrical Component Disassembly/Reassembly (battery disconnection, connector removal, etc.).

Please see your Toyota dealer for a copy of this document.

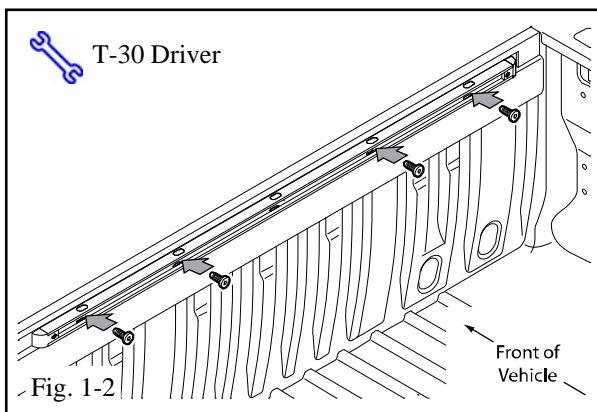


**1. Install Header Rail.**

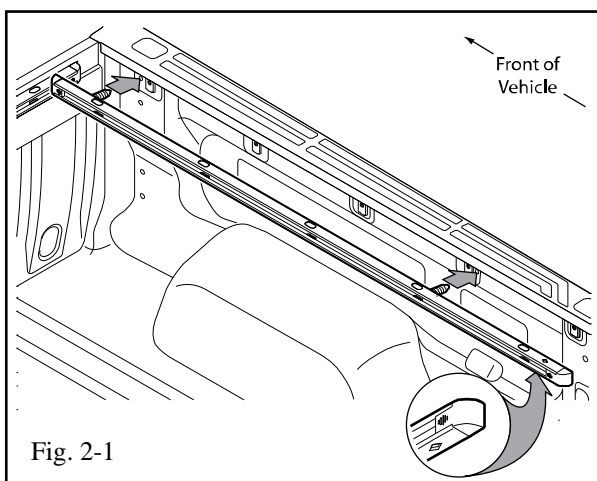
- ⚠ (a) Align steel temp-set peg with keyhole on the front of the bed. (Fig. 1-1)

Note: Bottom of header rail has a diamond shaped hole near the ends. (Fig. 1-1)

- ⚠ (b) Install peg into keyhole and slide left to lock into position. (Fig. 1-1)



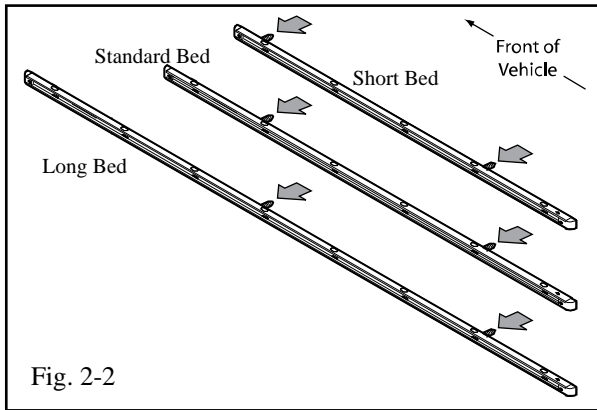
- ⚠ (c) Using a T-30 torx driver, install header screws (4 places). Do not Torque. (Fig. 1-2)



**2. Install Side Rails.**

- ⚠ (a) Align plastic temp-set locator clips with holes on the side of the bed. (Fig. 2-1)

Note: Rear of vehicle is located by the diamond shaped hole punched through the top and bottom of the rail. (Fig. 2-1)



**⚠** (b) Note the locator clips are in same position regardless of bed length. (Fig. 2-2)

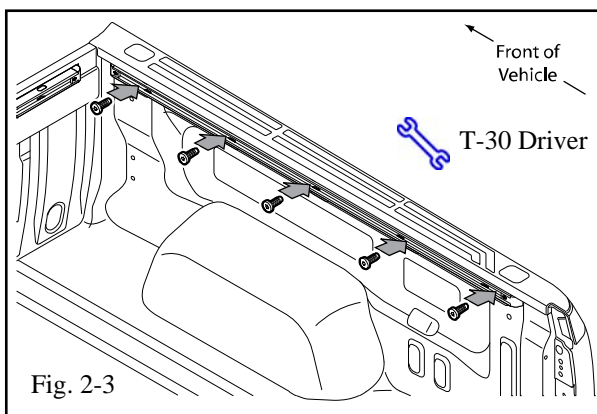
(c) Using a T-30 torx driver, install side rail screws.

(1) 5 Places – Short bed (shown) (Fig. 2-3)

(2) 6 Places – Standard bed (not shown)

(3) 8 Places – Long bed (not shown)

**⚠** (d) Repeat step 2 for opposite side.



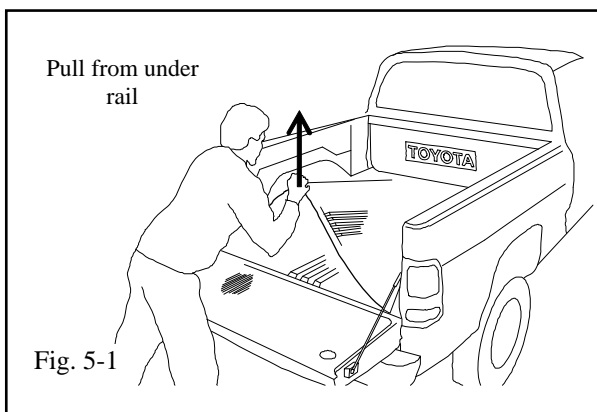
**3. Torque All Rail Screws.**

**⚠** (a) Tighten and torque all (header & side rail) T-30 screws to 7.5 N.m (66.5 Lbf-in).

(1) 14 Places – Short Bed (PT278-34071)

(2) 16 Places – Standard Bed (PT278-34072)

(3) 20 Places – Long Bed (PT278-34073)

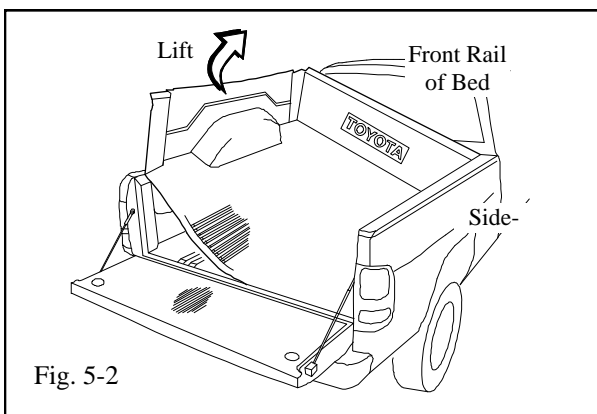


**4. Install Bed Cleat (as Throw-in)**

(a) Place the bed cleat 4-Pack on front passenger floor. Do not open packaging.

**FOR BED RAIL INSTALLATION WITH PRE-INSTALLED BEDLINER (DIO ONLY):**

Note: Additional Hardware Kit P/N **PT271-34070-HW** with “Z” Bracket is required for installation.

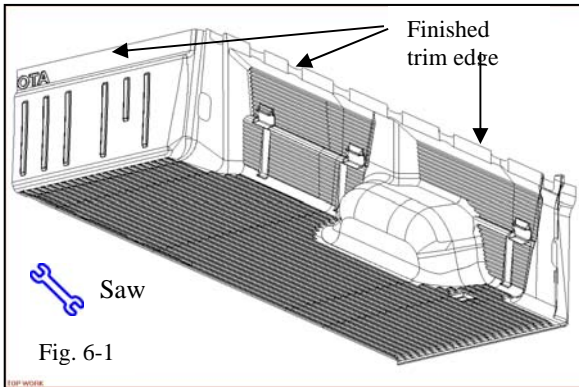


**5. Remove Bedliner from Truck Box**

Note: It is recommended that the bedliner be removed by two persons.

(a) Standing at rear of truck bed, lift up at the center of the rear edge of bedliner. Have a second person remove the top edge of the bedliner sidewall from under the side rail of the truck bed. (Fig. 5-1)

- (b) With a person on each side of the bedliner, lift the bedliner from the truck box and set the part on the ground. (Fig. 5-2)

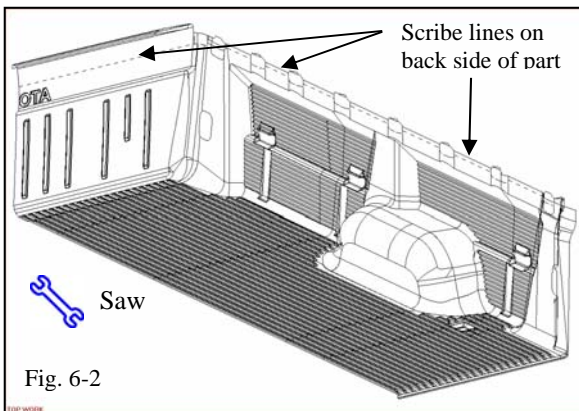


## 6. Modify Bedliner for Rail System

- (a) Locate the scribe lines along the back side of the bed liner.
- (b) With a sabre saw, sawzall, or keyhole saw, cut along the scribe lines on the back side of the bed liner sidewalls and headwall. (Fig. 6-1)

Note: Half of bed shown, repeat on other side.

- (c) Note the trimmed notches in sidewall of bed liner. The number of notches along sidewall will vary with truck bed length. (Fig. 6-2)



## 7. Re-Install Bedliner

- (a) Install bedliner and header rail according to the 2007 Tundra Bedliner w/ Rail System installation instructions, which is posted on the Toyota Technical Information System (TIS) website.

Note: The bedliner is to be installed in the vehicle prior to installation of the bed rails.

## 8. Install Bed Rails (per Steps 1-4 above)

**TOYOTA TUNDRA 2007 BED RAIL & CLEAT KIT**  
Checklist - these points **MUST** be checked to ensure a quality installation.

<u>Check:</u>	<u>Look For:</u>
<p><u>Accessory Function Checks</u></p> <p><input type="checkbox"/> Verify all rails are properly installed and torqued.</p> <p><input type="checkbox"/> Ensure bed cleats are placed in the vehicle.</p>	<p>Screws are straight and properly torqued.</p> <p>Cleats are placed on front passenger floor.</p>
<p><u>Vehicle Function Checks</u></p> <p><input type="checkbox"/> None Required</p>	